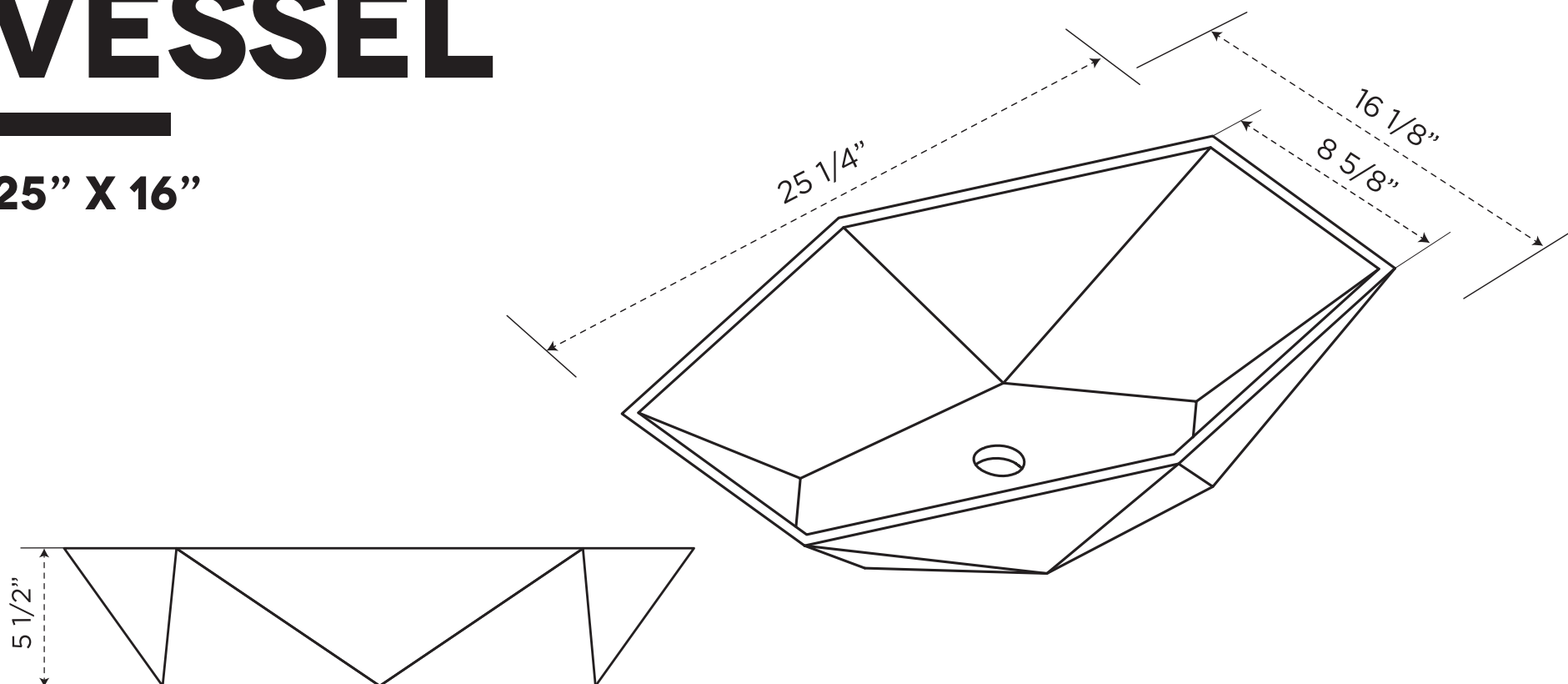


**SPECIFICATIONS / TECHNICAL DATA**

**MODERN HEXAGON  
ELONGATED  
VESSEL**

**25" X 16"**



*ATTENTION! Dimensions may vary by up to 3/8". It is highly recommended to pull all dimensions of actual model for installation and measuring purposes.*

**MODEL# MV2516BW**